

---

# BuzziSpark

## Product Specification Sheet

---

This document contains technical information about the BuzziSpark

---



[www.buzzi.space](http://www.buzzi.space)






## A comfy escape with a twist, pulling you out of a stressful moment

BuzziSpark invites you to relax and observe in silence what happens in your surroundings. But it holds a surprise... Until you plunge yourself in its cocoon, you won't know 'who' or 'if' someone is sharing the same experience. You may run into another nomad with another story looking to escape from the every day and make a new connection. The magic of BuzziSpark lies in the allure of the unknown – the surprise of not knowing who you'll meet around the corner.

Design by Alain Gilles

---

## General

-  Original AG103 | AG102  
Sofa AG112 | AG111
- Frame in Powder Coated Metal – RAL 9005
- Seat cushions: Fillings : polyether foam and polyester fiberfill  
Sew finishing: regular seam
- Back and side cushions against Shield: Fillings : polyether foam, polyester fiberfill  
Sew finishing: tube piping
- Comfort and decorative cushions: Fillings : polyether foam and polyester fiberfill  
Sew finishing: tube piping
-  Acoustic Shields: Core: Plywood 1,8 cm | 0.71"  
Cover : foam, fiberfill and fabric  
Sew finishing: tube piping
- Suspension frame of high-durability glass fiber reinforced slats
- Cushions upholstered in: Fabric, Rough, Trevira CS+ | CS, Revive 1, Revive 2, Velvet, Terra, Clara 2, Remix 2, Hero, Tonus 4, Tonus Meadow, Memory 2, Matrix or Leather Vegetal
- Shields upholstered in: Fabric, Rough, Trevira CS+ | CS, Velvet, Terra, Clara 2, Hero, Tonus 4, Tonus Meadow, Memory 2 or Matrix
-  Dry use
- Comfort armrest cushions
- Decorative cushion(s)
- ... Anti-theft set for 2 cushions (used for optional armrest cushions or decorative cushions)
- Tablet
- Electrification Unit

---

## Certifications

DIN EN 12520: 2016  
DIN EN 16139: 2014 Level 1  
DIN EN 16139: 2014 Level 2  
BIFMA X5.4-2012

---

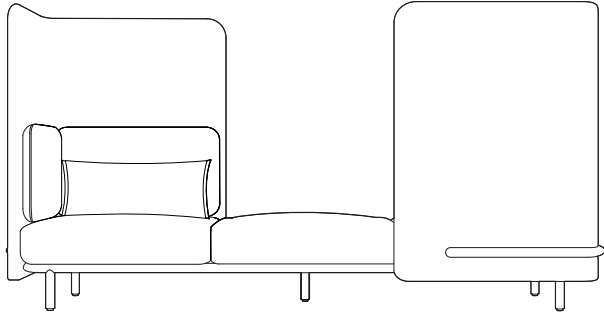
## Content

Configurations	3
Components	7
Fabrics	11
Dimensions	15
Acoustics	20

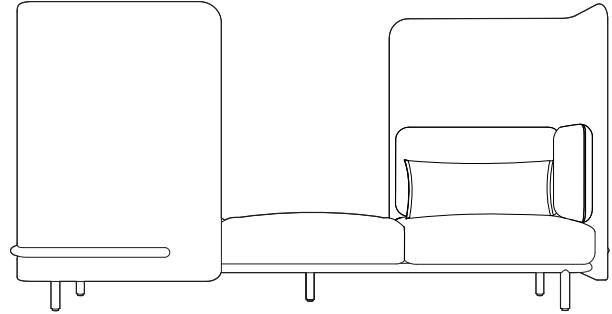
---

# Configurations

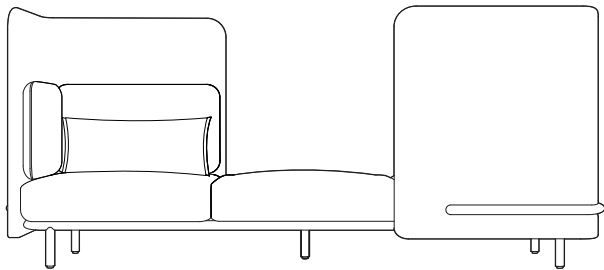
## Original AG103



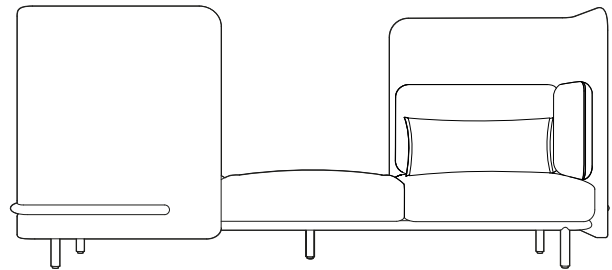
Left Open - High Shields



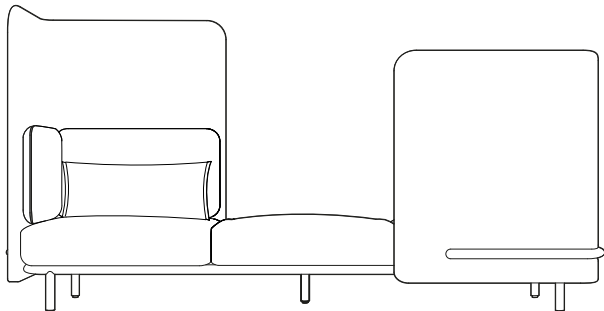
Right Open - High Shields



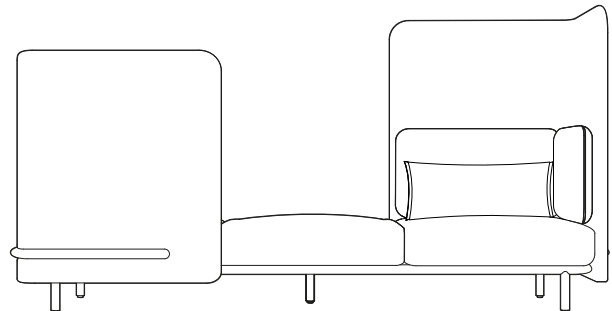
Left Open - Medium Shields



Right Open - Medium Shields



Left Open - High Shield + Medium Shield

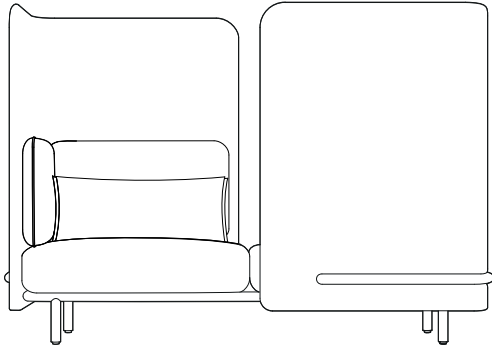


Right Open - Medium Shield + High Shield

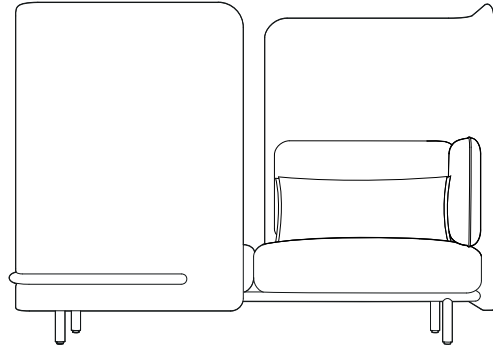
	Medium Shields:	W 324,1 cm	D 100,6 cm	H 140,3 cm
		W 127.60"	D 39.61"	H 55.24"
✘	High Shields:	W 324,1 cm	D 100,6 cm	H 165,3 cm
		W 127.60"	D 39.62"	H 65.08"

	Medium Shields:	155 kg		341.72 lbs
⚖	High Shields:	165 kg		363.76 lbs
	Medium + High Shield:	160 kg		352.74 lbs

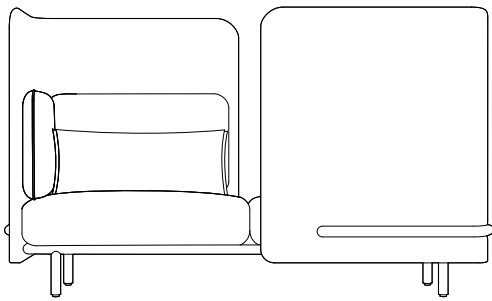
# Original AG102



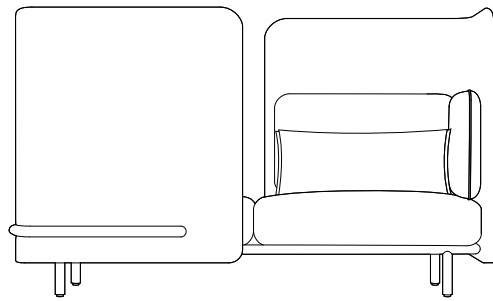
Left Open - High Shields



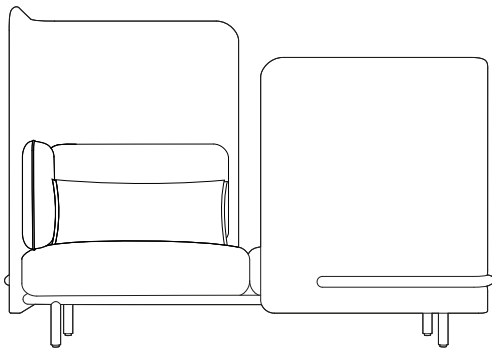
Right Open - High Shields



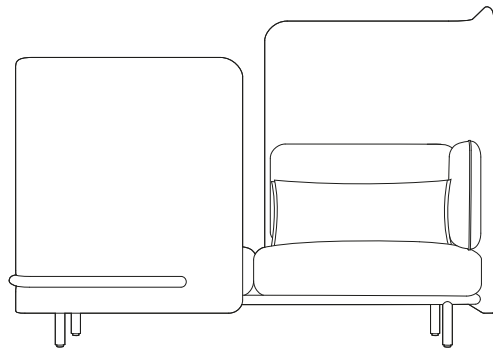
Left Open - Medium Shields



Right Open - Medium Shields



Left Open - High Shield + Medium Shield

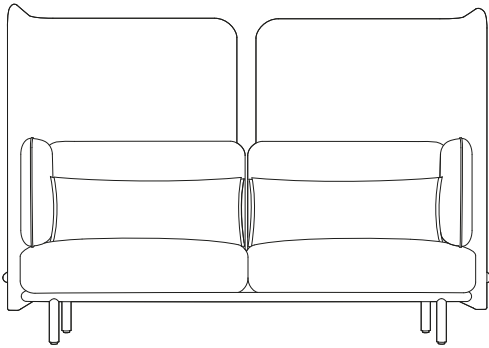


Right Open - Medium Shield + High Shield

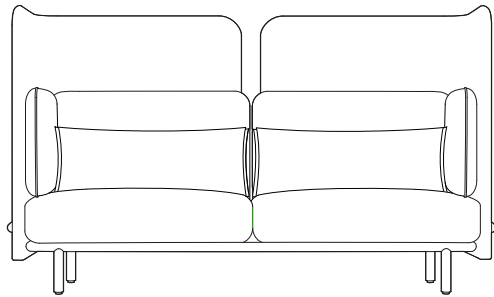
	Medium Shields:	W 239,1 cm	D 100,6 cm	H 140,3 cm
		W 94.13"	D 39.61"	H 55.24"
✘	High Shields:	W 239,1 cm	D 100,6 cm	H 165,3 cm
		W 94.13"	D 39.61"	H 65.08"

	Medium Shields:	135 kg   297.62 lbs
⚖	High Shields:	145 kg   319.67 lbs
	Medium + High Shield:	140 kg   308.65 lbs

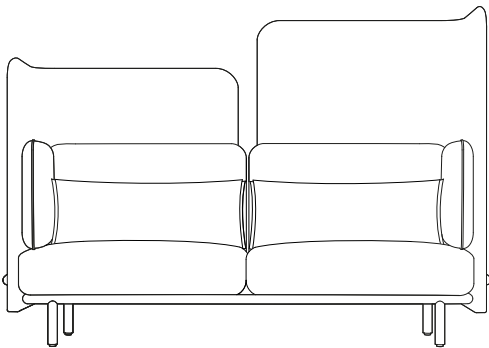
# Sofa AG112



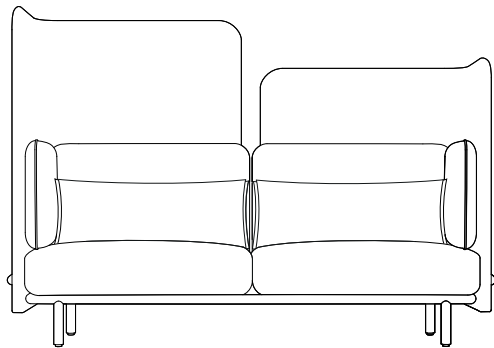
High Shields



Medium Shields



Medium Shield + High Shield



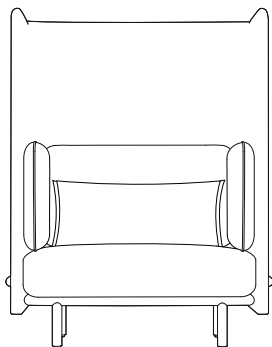
High Shield +Medium Shield

✘	Medium Shields:	W 239,1 cm	D 95,3 cm	H 140,3 cm
		W 94.13"	D 37.52"	H 55.24"
✘	High Shields:	W 239,1 cm	D 95,3 cm	H 165,3 cm
		W 94.13"	D 37.52"	H 65.08"

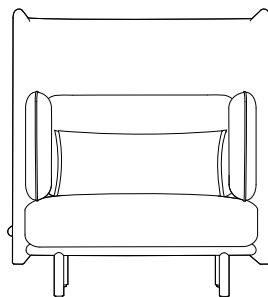
⚖️	Medium Shield:	135 kg   297.62 lbs
	High Shield:	145 kg   319.67 lbs
	Medium + High Shield:	140 kg   308.65 lbs

---

## Sofa AG111



High Shield



Medium Shield

	Medium Shield:	W 131,3 cm	D 95,3 cm	H 140,3 cm
		W 51.69"	D 37.52"	H 55.24"
✘	High Shield:	W 131,3 cm	D 95,3 cm	H 165,3 cm
		W 51.69"	D 37.52"	H 65.08"
⚖	Medium Shield:	120 kg   264.55 lbs		
	High Shield:	130 kg   286.60 lbs		

# Components

---

## Shield



The shield is what gives BuzziSpark its unique character. It is the side panel of the sofa, available in different models to create protection at two different heights. For instance, BuzziSpark is available with two shields on one side to create a love seat, or with two shields in opposite directions. The shield has a solid wooden core, surrounded by a layer of acoustic foam and finally upholstered in fabric, thus giving it a soft look and feel.

---

## Shield Cushion



The shield cushion provides comfort to the shield, so you can relax into the acoustic shelter. The shield cushion always comes in the same color as the seating cushion and is fixed with a slider system to the shield. This way, it can easily be detached.

---

## Comfort Back Cushion



One of the characteristics of BuzziSpark is the number of cushions. In combination they create a sense of depth, and the comfort back cushion is no exception. It provides a luxurious feel while softly and comfortably supporting your back. The optional comfort arm cushion always come in the same fabric color.

---

## Seating Cushion



Just like the back cushion, the seating cushion gives you a pleasant experience in the BuzziSpark, providing the ultimate backdrop to unwind. The seating cushion always comes in the same colors as the shield cushion.

---

## Frame



The metal frame is what holds the body of BuzziSpark together. It ensures a firm support to all the components. The frame comes in a black, powder coated structure, attracting just the right attention without stealing the spotlight from the individual elements.



# Options

---

## Comfort armrest cushions



If you want to add extra comfort to your BuzziSpark, you can supplement the existing layout with two armrest cushions, one in each side. These come in the same color as the comfort back cushion and are also offered with an optional anti-theft set.

W 55 cm H 38 cm D 16 cm  
W 21.65" H 14.96" D 6.30"

---

## Decorative cushions



Customize your BuzziSpark even further with decorative cushions for additional comfort. Play with contrasting colors to create an eye-catching setup that will make everyone turn around.

W 40 cm H 40cm D 13 cm  
W 15.75" H 15.75" D 5.12"

---

## Tablet



BuzziSpark Tablet with rotating top in Ash Black Stained.

Ø 30 cm H 69,6 cm  
Ø 11.81" H 27.40"

---

## Electrification Unit



BuzziSpark electrification unit with 3m power cable

Possible options

BE/FR/PO/SL (Type E)

2x USB outlet

1x socket outlet

DE/NL/SP/NO/SW (Type F)

2x USB outlet

1x socket outlet

UK/IR/MA (Type G)

2x USB outlet

1x socket outlet

US (Type A)

2x Socket outlet

# Fabrics

**⚠ Not all fabrics are available for every product.**  
**Please check below in what fabric you can order your product.**

**Shields available in:** Fabric, Rough, Trevira CS+ | CS, Clara 2, Velvet, Terra, Hero, Tonus 4, Tonus Meadow, Memory 2 or Matrix

**Cushions available in:** Fabric, Rough, Trevira CS+ | CS, Revive 1, Revive 2, Terra, Clara 2, Remix 2, Velvet, Hero, Tonus 4, Tonus Meadow, Memory 2 or Matrix, Leather Vegetal

---

## Fabric



**Category A**

**Composition** 70% Recycled Wool, 25% Recycled Polyacryl,  
5% Recycled Other Fabrics

**Weight** 405 g/m<sup>2</sup> | 11.94 oz/yd<sup>2</sup>

**Abrasion resistance** 40.000 Martindale, 50,000 Wyzenbeek

**Flammability** EU: EN 1021.1/2006 | BS EN 1021.1/2006 (cigarette).  
EN 1021.2/2006 | BS EN 1021.2/2006 (match)  
USA: CAL TB 117 | ASTM E84 CLASS A

**Fastness to light** EU: 4 | USA 4

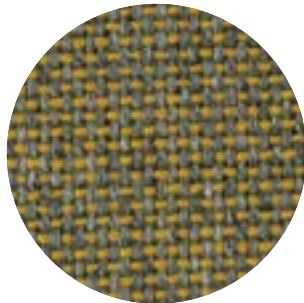
**Fastness to rubbing** EU: Wet 3-4 | Dry 4-5

**Fastness to crocking** USA: Wet 5 | Dry 5



---

## Rough



**Category A**

**Composition** 100% Polyacryl

**Weight** 456 g/m<sup>2</sup> | 13.45 oz/yd<sup>2</sup>

**Abrasion resistance** 40.000 Martindale

**Flammability** EU: EN 1021.1/2006 | BS EN 1021.1/2006 (cigarette)  
USA: CAL TB TB 117

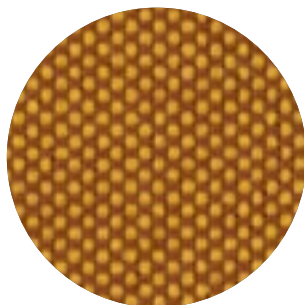
**Fastness to light** EU: 5

**Fastness to rubbing** EU: Wet: 3 | Dry: 3



---

## Trevira CS+ | CS



**Category A**

**Weight** 420 g/m<sup>2</sup> | 12.39 oz/yd<sup>2</sup>

**Composition** 100% Polyester, Trevira CS

**Abrasion resistance** 100.000 Martindale, 90,000 Wyzenbeek

**Flammability** BS 5852 part II: CRIB 5 | BS 7176 Medium Hazard  
USA: CAL TB 117 | M1 | B1 | EN 1021/1-2 | C1 |  
IMO Res. A652 (16)

**Fastness to light** EU: 6 | USA 5

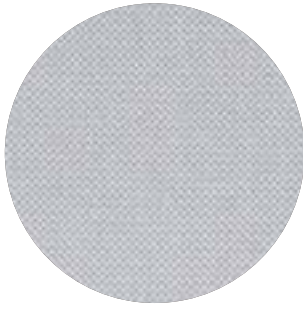
**Fastness to rubbing** EU: Wet 4-5 | Dry 4-5

**Fastness to crocking** USA: Wet 5 | Dry 5



## Revive 1

kvadrat



**Category A**

**Composition** 100% recycled polyester FR

**Weight** 430 g/lin.m

**Abrasion resistance** 60.000 Martindale rubs, EN ISO 12947

**Flammability** EN 1021-1/2 | DIN 4102 B1 | Önorm B1/Q1

UNI 9175 1IM | US Cal. Tech. Bull. 117

IMO A.652 (16)

**Fastness to light** Note 5-7, ISO 105-B02

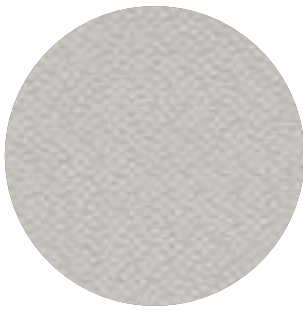
**Fastness to rubbing** (ISO) dry 5, wet 4-5

**Pilling** Note 4-5, EN ISO 12945



## Revive 2

kvadrat



**Category A**

**Composition** 100% recycled polyester FR

**Weight** 420 g/lin.m

**Abrasion resistance** 45.000 Martindale rubs, EN ISO 12947

**Flammability** EN 1021-1/2 | DIN 4102 B1 | Önorm B1/Q1

UNI 9175 1IM | US Cal. Tech. Bull. 117

IMO A.652 (16)

**Fastness to light** Note 5-7, ISO 105-B02

**Fastness to rubbing** (ISO) dry 5, wet 4-5

**Pilling** Note 4-5, EN ISO 12945



## Velvet



**Category B**

**Composition** 100% PES

**Weight** 375 g/m<sup>2</sup> | 11.06 oz/yd<sup>2</sup>

**Abrasion resistance** > 100.000 Martindale

**Fastness to light** EU: 4-5

**Fastness to rubbing** EU: Wet 4 | Dry 4-5

**Pilling** EU: 4-5

## Terra



**Category B**

**Composition** 100% Pure New Wool

**Weight** 370 g/m<sup>2</sup> | 10.91 oz/yd<sup>2</sup>

**Abrasion resistance** 40.000 Martindale, 25,000 Wyzenbeek

**Flammability** EU: BS5852 CRIB 5 | BS5867 PART 2 : 2008 : TYPE B

EN: 1021.2/2006 | USA: CAL TB 117

**Fastness to light** EU 5 | USA 5

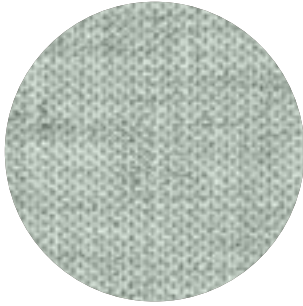
**Fastness to rubbing** EU: Wet 4 | Dry 4

**Fastness to crocking** USA: Wet 4 | Dry 4



## Clara 2

kvadrat



**Category B**

**Composition** 92% new wool, 8% nylon

**Weight** 400 g/lin.m

**Abrasion resistance** 80.000 Martindale rubs, EN ISO 12947

**Flammability** EN 1021-1/2 | BS 5852, ignition source 2-3 | DIN 4102 B2  
NF D 60 013 | UNI 9175 11M | US Cal. Tech. Bull. 117, Sec. E  
NFPA 260 | IMO A.652(16)

**Fastness to light** Note 5-7, ISO 105-B02

**Fastness to rubbing** (ISO) dry 4-5, wet 4

**Pilling** Note 4, EN ISO 12945



## Remix 2

kvadrat



**Category B**

**Composition** 90% new wool, 10% nylon

**Weight** 415 g/lin.m

**Abrasion resistance** 100.000 Martindale rubs, EN ISO 12947

**Flammability** EN 1021-1/2 | BS 5852 part 1  
Önorm B1/Q1 | NF D 60 013 | UNI 9175, 11M  
AS/NZS 1530.3 | Cal. Tech. Bull. 117-2013  
NFPA 260 | IMO FTP Code 2010:Part 8

**Fastness to light** Note 5-7, ISO 105-B02

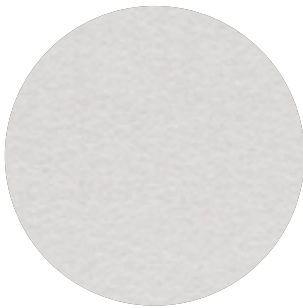
**Fastness to rubbing** (ISO) dry 4-5, wet 4

**Pilling** Note 4, EN ISO 12945



## Hero

kvadrat



**Category C**

**Composition** 96% new wool, 4% nylon

**Weight** 580 g/lin.m

**Abrasion resistance** 45.000 Martindale rubs, EN ISO 12947

**Flammability** EN 1021-1/2 | DIN 4102 B2 | NF D 60 013  
UNI 9175 11M | US Cal. Bull. 117-2013 | NFPA 260  
IMO A.652 (16)

**Fastness to light** Note 5-6, ISO 105-B02

**Fastness to rubbing** (ISO) dry 4-5, wet 4-5

**Pilling** Note 3-4, EN ISO 12945



## Tonus 4

kvadrat



**Category D**

**Composition** 90% new wool, 10% Helanca

**Weight** 665 g/lin.m

**Abrasion resistance** 100.000 Martindale rubs, EN ISO 12947

**Flammability** EN 1021-1/2 | BS 5852 part 1 | DIN 4102 B2  
Önorm B1/Q1 | NF D 60 013 | UNI 9175 11M  
US Cal. Bull. 117-2013 | NFPA 260 | IMO A.652 (16)

**Fastness to light** Note 5-7, ISO 105-B02

**Fastness to rubbing** (ISO) dry 3-5, wet 3-5

**Pilling** Note 3, EN ISO 12945



## Memory 2

kvadrat



**Category** E

**Composition** 100% Trevira CS

**Weight** 700 g/lin.m

**Abrasion resistance**

35.000 rubs acc. to the Martindale method, EN ISO 12947

**Flammability** EN 1021-1/2 | DIN 4102 B1 | Önorm B1/Q1  
NF D 60 013 | NF P 92 507 M1 | UNI 9175 1IM  
UNI 9177 classe 1 | US Cal. Tech. Bull. 117  
IMO A.652 (16)

**Fastness to light** Note 5-8, ISO 105-B02

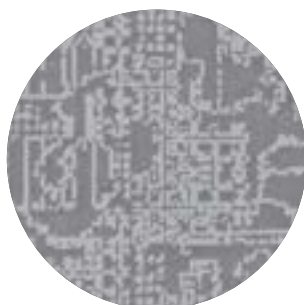
**Fastness to rubbing** (ISO) dry 4-5, wet 4-5

**Pilling** Note 4, EN ISO 12945



## Matrix

kvadrat



**Category** F

**Composition** 100% Trevira CS

**Weight** 760 g/lin.m

**Abrasion resistance**

App. 60.000 rubs acc. to the Martindale method, EN ISO 12947

**Flammability** EN 1021-1/2 | BS 5852 crib 5 | BS 5867 part 2 type B  
DIN 4102 B1 | Önorm B1/Q1 | NF D 60 013  
UNI 9175 1IM | US Cal. Tech. Bull. 117 | NFPA 701  
IMO A.652 (16)

**Fastness to light** Note 5-7, ISO 105-B02

**Fastness to rubbing** (ISO) dry 4-5, wet 4-5

**Pilling** Note 4, EN ISO 12945



## Leather Vegetal



**Raw material** Scandinavian Bullhides

**Surface** Pure Aniline

**Flammability** EU: EN 1021.1 - BS5852 PART 1 (cigarette)  
EN 1021.2 - BS5852 PART 1 (match)  
USA: CAL TB 117

**Fastness to light** EU: 3 Blue Scale (72h exposition)

**Fastness to rubbing** EU: Wet: 20 cycles/3 | Dry: 50 cycles/3  
Sweat: 20 cycles/3

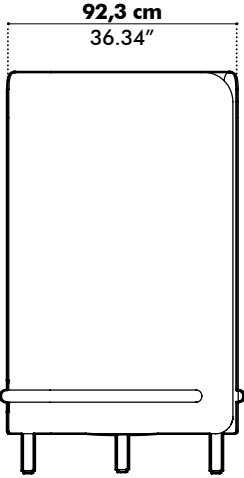
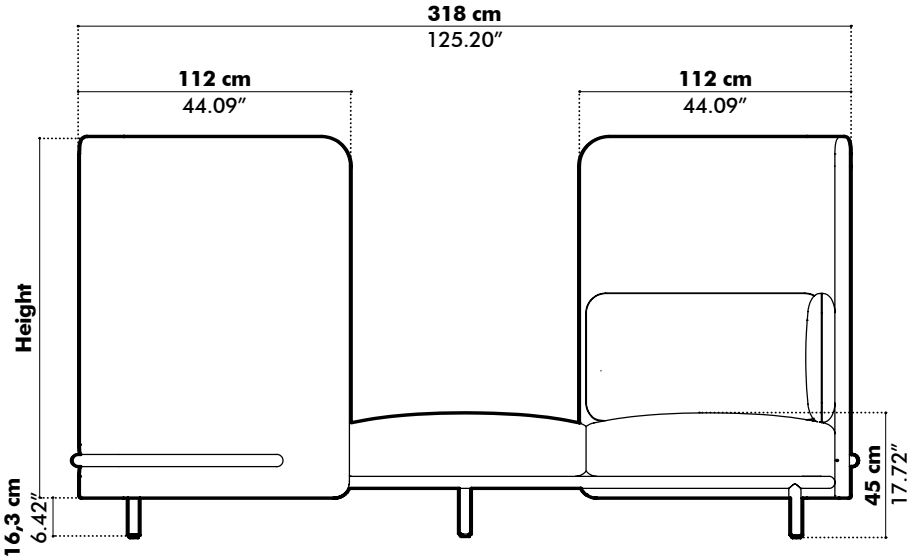
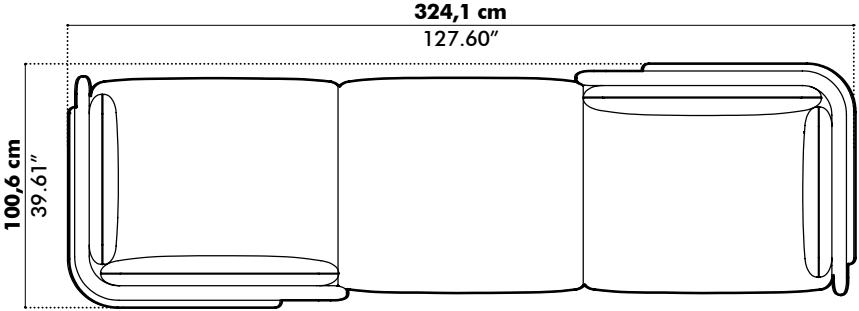
**Streight** Tear resistance: >20N or 10N/mm thickness

Tensile: >20N/mm<sup>2</sup>

Elongation: 40-70%

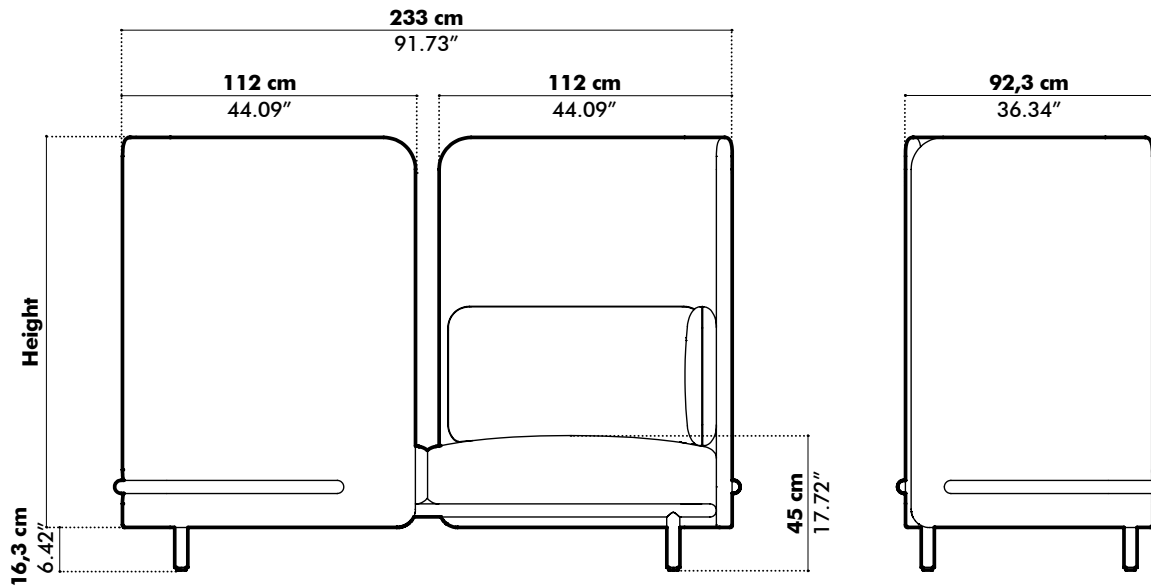
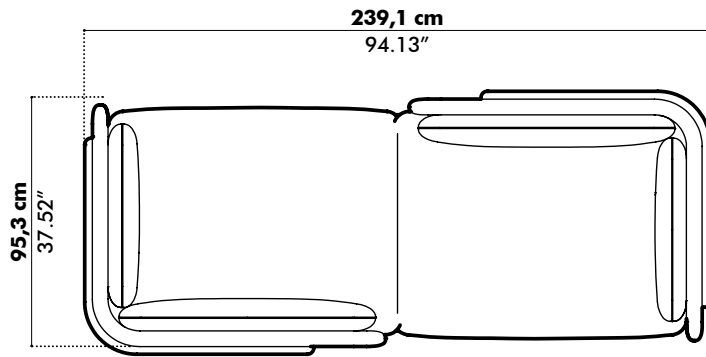
# Dimensions

## Original AG103



Height	Medium Shield	124 cm   48.22"
	High Shield	149 cm   58.66"

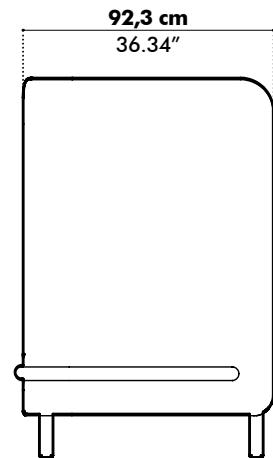
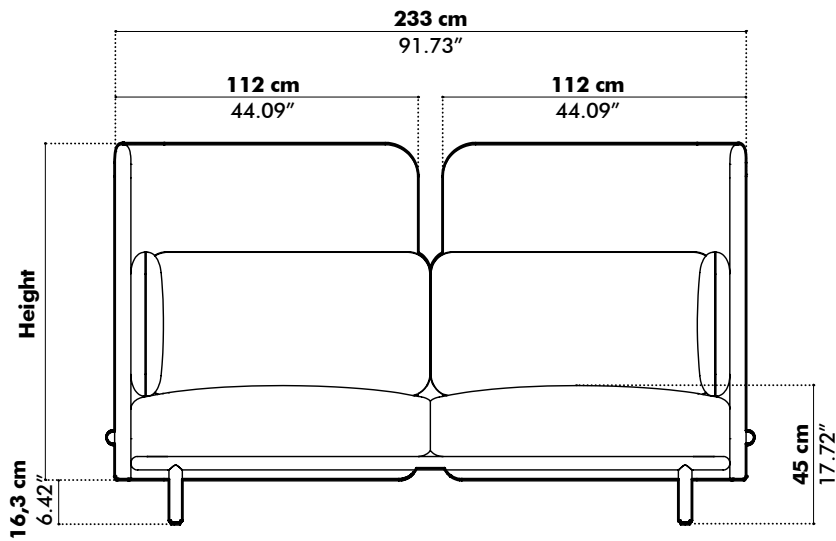
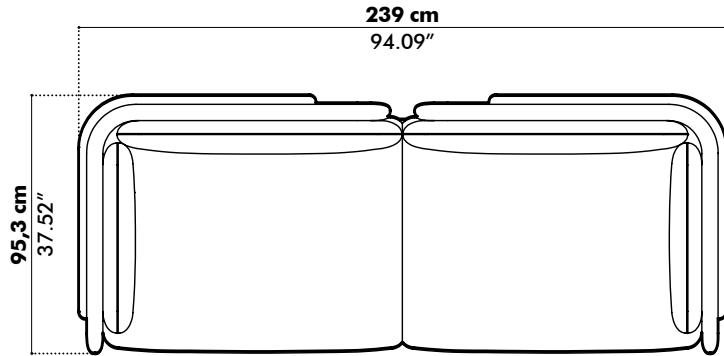
# Original AG102



<b>Height</b>	Medium Shield	124 cm   48.22"
	High Shield	149 cm   58.66"

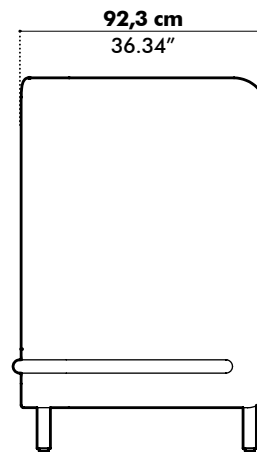
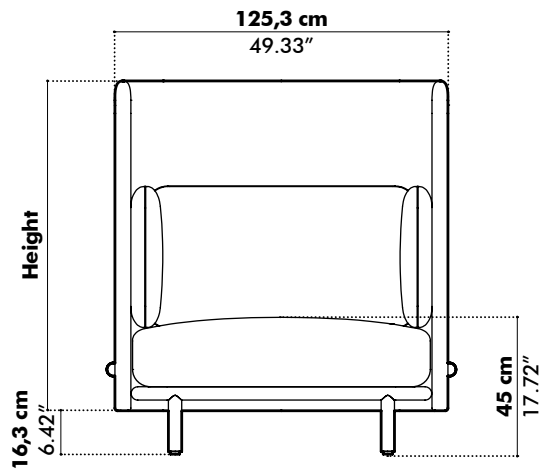
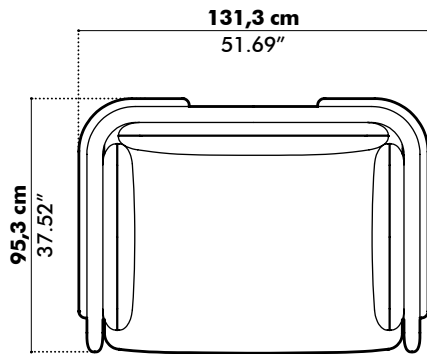


# Sofa AG112



<b>Height</b>	Medium Shield	124 cm   48.22"
	High Shield	149 cm   58.66"

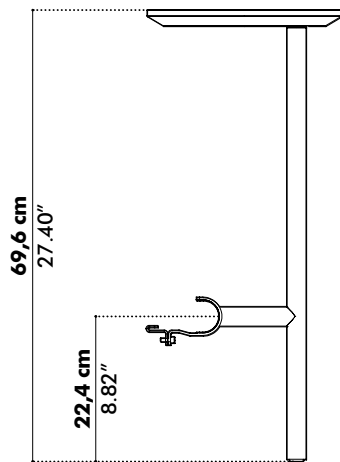
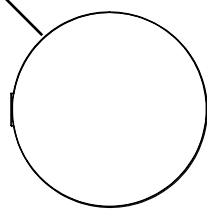
# Sofa AG111



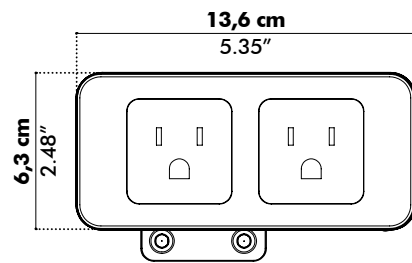
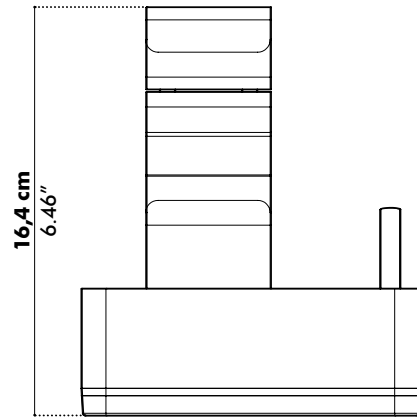
<b>Height</b>	Medium Shield	124 cm   48.82"
	High Shield	149 cm   58.66"

## Tablet

Ø 30 cm  
11.81"



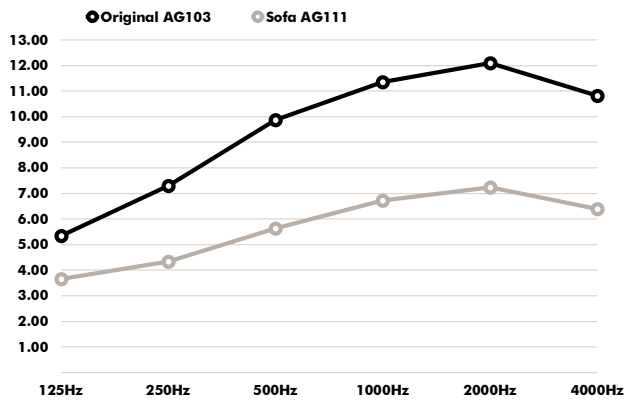
## Electrification Unit



# Acoustics

## BuzziSpark Original AG 103

Equivalent sound absorption area in m<sup>2</sup> per object



Hz	Original AG103 Aeq/m <sup>2</sup>	Sofa AG111 Aeq/m <sup>2</sup>
125	5.34	3.65
250	7.31	4.34
500	9.87	5.64
1000	11.36	6.73
2000	12.09	7.23
4000	10.82	6.40